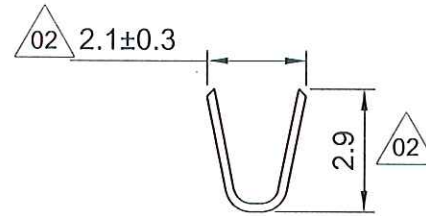
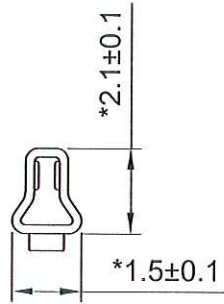
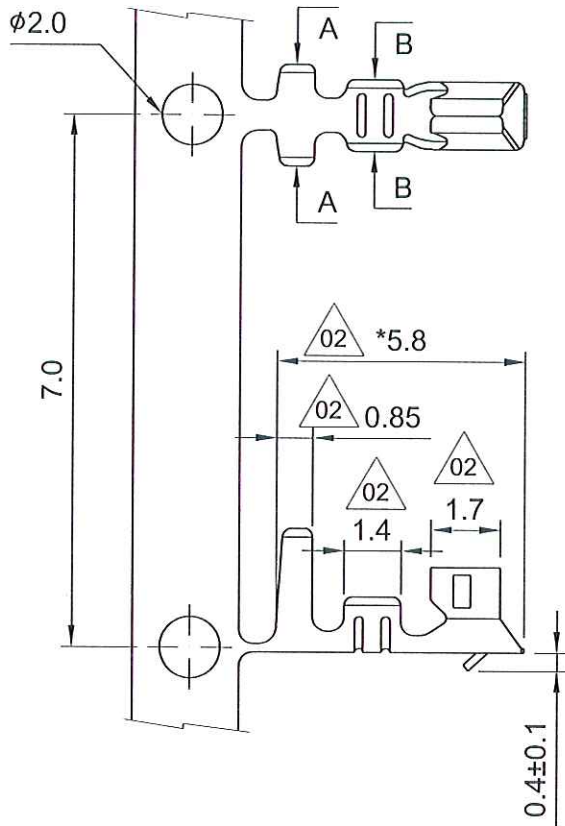
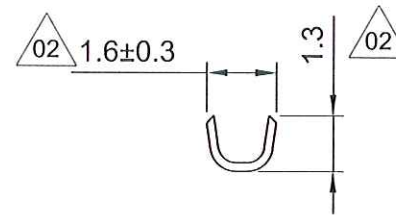




REV.	DESCRIPTION	DATE	APPR.
02	修改尺寸規格	2009/10/20	陳世官



Section A - A



Section B - B

Specification & Ordering Information :

Part No.	Thickness	Material	Wire range	Insulation O.D.	Finish	Q'ty / reel	Use with
200F-T-TP	0.2	Phosphor Bronze	AWG 24~30	1.4-1.13mm	Pre. Tin-plated	10000 Pcs	200F-xxP housing



JAWS 兆旭股份有限公司
 JAWS CO., LTD.
 7F., No.31, Ln. 169, Kangning St., Xizhi Dist.,
 New Taipei City 221, Taiwan (R.O.C.)
 TEL:886-2-2692-2898
 FAX:886-2-2692-2618
 Http://www.jaws.com.tw

THIRD ANGLE PROJECTION		DESIGN UNITS mm INCH
SIZE: A4	SCALE: FREE	SHEET: 1/1
CPN:		DWG NO.: JAWS-SOP-200F-T-001
DAN NO.: S10108-012		REV. 02

TITLE: 2.0mm Pitch Crimp Terminal	
PARTS NO.: 200F-T-TP	
DWG NO.: JAWS-SOP-200F-T-001	
REV. 02	

GENERAL TOLERANCES:		DRAWN	林峻吉	DATE	2012/08/17
X.	±N/A	CHECKED	Wang	DATE	2012/08/17
X.X	±0.25	APPROVED	Wang	DATE	2012/08/17
X.XX	±0.15				
ANGLE	±N/A				